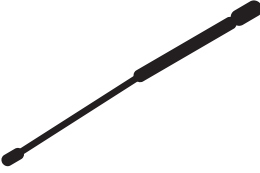

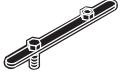




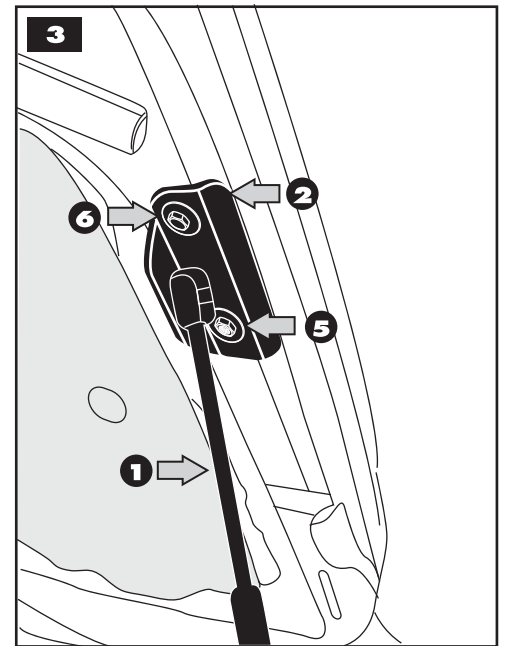
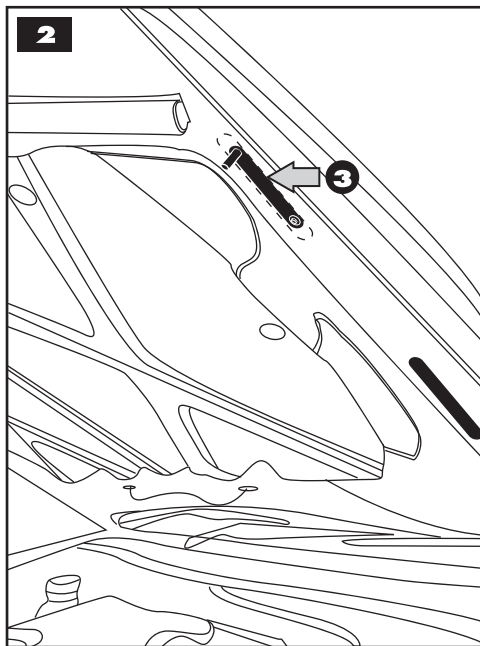
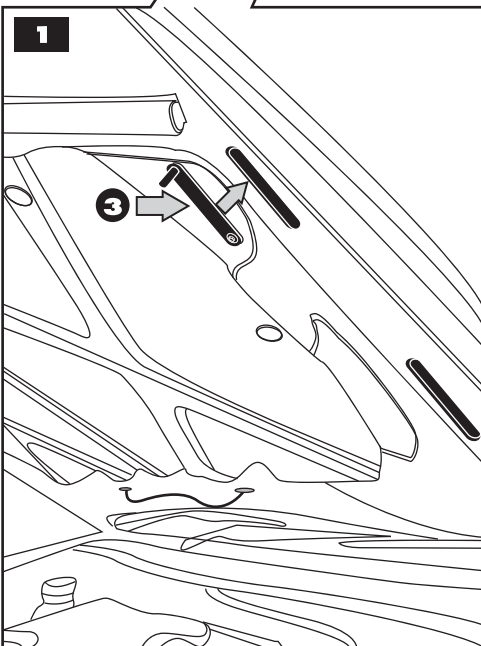
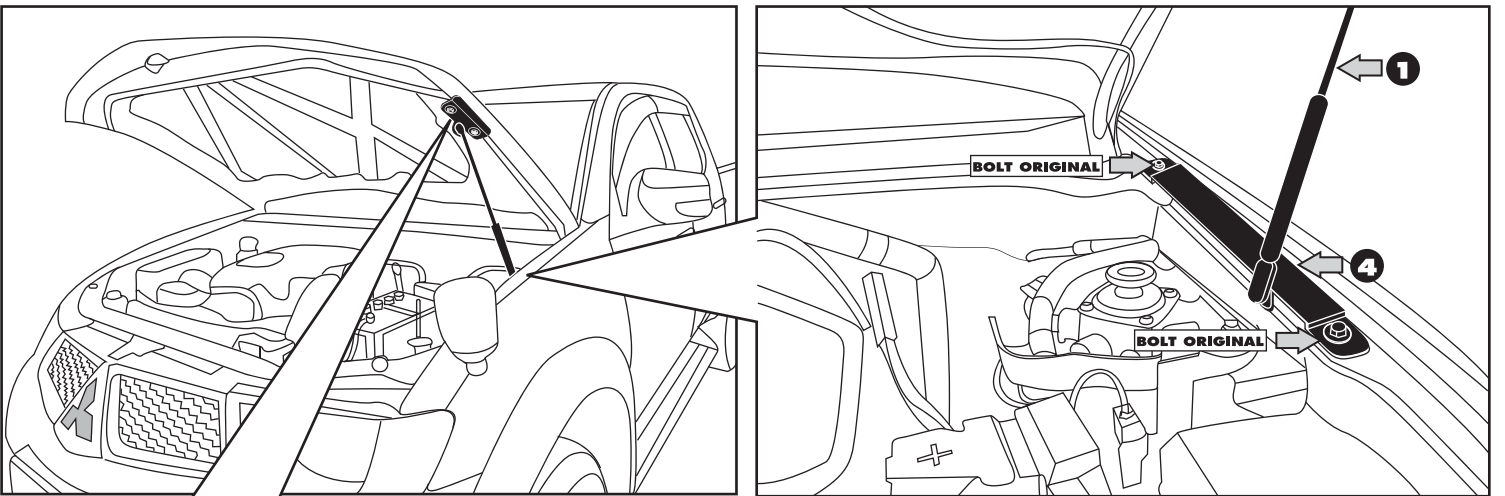


## INSTALLATION MITSUBISHI TRITON PLUSH, PAJERO SPORT

### PART INSTALLATION

<p><b>1</b></p>  <p>LIFTER 1 PC.</p>	<p><b>2</b></p>  <p>HOOP BRACKET#1 TOP 1 PC.</p>	<p><b>3</b></p>  <p>HOOP BRACKET#2 TOP 1 PC.</p>	<p><b>4</b></p>  <p>ENGINE ROOM BRACKET 1 PC.</p>	<p><b>5</b></p>  <p>BOLT &amp; WASHER M6 1 SET.</p>
<p><b>6</b></p>  <p>NUTS &amp; WASHER M6 1 SET.</p>	<p><b>INSTALLATION TOOLS</b></p>  <p>WRECH &amp; T-WRECH No,10</p>			



**PLASTIC RECYCLE**